

Performance

Platform Capacity

4069LE	800 lb	362 kg
Capacity on Platform Extension	250 lb	113 kg

Lift/Lower Time

4069LE	54/50 sec
--------	-----------

Maximum Drive Height

4069LE	30 ft	9.14 m
--------	-------	--------

Weight*

4069LE	10,560 lb	4,790 kg
--------	-----------	----------

Ground Bearing Pressure

4069LE	61 PSI	4.29 kg/cm ²
--------	--------	-------------------------

Drive Speed

Elevated	0.4 mph	0.64 kmph
Lowered	3.0 mph	4.8 kmph

Gradeability

2WD	35%
4WD	45%

Turning Radius

Inside	90 in.	2.29 m
Outside	186 in.	4.72 m

Standard Specifications

Tires

- Standard 240/55-17.5 Foam-Filled Non-Marking Tires
- Optional Sand/Turf Tires

Brakes

- Spring Applied Hydraulically Released Discs

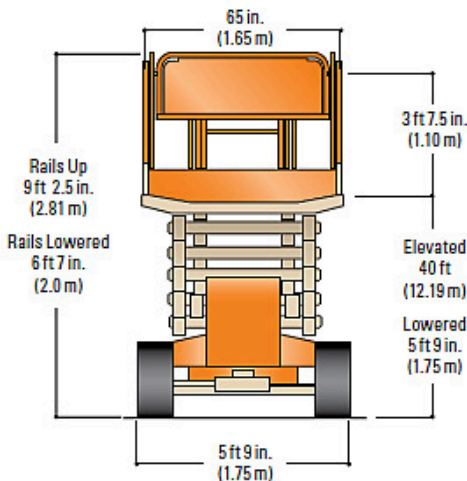
Power Source

Batteries	8 x 6V, 370 amp-hr	
Charger	20 Amp, Automatic SCR Charger	
Electric Pump Motor	Series Wound	
Drive Motors	Two 5.5 hp Shunt Wound	
Generator Set (M models only)	45 Amp Kubota	
Engine Fuel Tank Capacity	4 gal.	15.14 L

Hydraulic System

Capacity	8.5 gal.	32.18 L
Pump	Single Section Gear Pump	

4069LE



Features

- 65 x 115 in. (1.65 x 2.92 m) Work Platform
- Full Time ATC—JLG Automatic Traction Control System
- Oscillating Axle
- Proportional Direct DC Electric Drive
- Proportional Lift Up
- 110V-AC Receptacle in Platform
- 8 x 6V, 370 amp-hr Batteries
- 3 ft Roll-Out Deck Extension
- On-Board Diagnostics with Common JLG Analyzer
- Fold-Down Hand Rails
- Forklift-Able Battery Compartments with Quick Disconnect Couplings
- Moveable, Removable Platform Console Box
- 20 Amp Automatic, SCR Battery Charger
- Battery Charge Indicator in Platform
- 3 Degree Tilt Indicator Light and Alarm
- All Motion Alarm
- Manual Descent
- Tie Down Lugs
- Hourmeter
- Horn

