

LEGUAN®

ARTICULATING BOOM LIFTS

125 SERIES



- **LEGUAN 110**
- **LEGUAN 125**

125 SERIES

Legun Lifts exports the Leguans to over 20 countries. They have been tested in the coldness of Lapland and in the heat of Australia. Despite of their compact dimensions they offer a level of performance, stability, safety and quality generally associated with more expensive larger machines.

LEGUAN SAVES MONEY AND TIME. IT'S GOOD FOR

- Painters
- Electricians
- House builders
- Tree trimming
- Maintenance in industry
- Landscapers
- Home improvement and more.



4in1 SYSTEM MEETS YOUR VERSATILE NEEDS

1. Leguan on wheels



- 4 WD
- Turns on the spot
- Easy to drive

2. Leguan with jockey wheel



- 2 WD
- Smooth turn on the spot
- Especially for sensitive areas like marble or timber flooring

3. Leguan with tracks



- Excellent off-road performance
- Low ground pressure
- Good grip on slopes
- Turns on the spot

4. Leguan on trailer



- Can be operated from towable trailer
- Total weight 1600 kg!
- Ready to use - no outside power needed

LEGUAN PRINCIPLES



125 SERIES

- Leguan Lifts has concentrated in developing and manufacturing compact medium sized self propelled access work platforms.
- Independently operated outriggers enable the Leguans to work on uneven places.
- Full time 4WD/AWD or rubber tracks ensures the best possible allterrain performance.
- Compact dimensions and zero degree turning radius. Leguan can squeeze into just about anywhere.
- All functions can be handled on the platform.
- Uncompromised flexibility, transportability and world class design make Leguans the most productive aerial work platforms in their class.
- Can be operated also as an trailerlift.



125 SERIES

FULL HYDRAULIC

- full time hydraulic 4WD
- easy to drive
- direct hydraulic soft touch system
- stepless driving speed
- minimized service requirements

ALL FUNCTIONS CAN BE OPERATED ON THE PLATFORM !

MECHANICAL STOPS FOR MOVEMENTS!



	LEGUAN 110	LEGUAN 125
Maximum Working Height	11,0 m	12,5 m
Maximum Platform Height	9,0 m	10,5 m
Maximum Horizontal Reach	5,35 m	6,3 m
Safe Working Load	135 / 200* kg	135 / 200* kg
Transport Length with Platform	4,40 m	5,0 m
Transport Length without Platform	3,85 m	4,4 m
Overall Height	1,70 m	1,8 m
Overall Width:		
Normal Tyres	1,03 m	1,03 m
Narrow Tyres	0,95 m	0,95 m
Rubber Tracks	1,12 m	1,12 m
Platform Size	0,87 x 0,65 m	0,87 x 0,65 m
Boom Slewing	357 °	357 °
Gradeability	35 %	35 %
Outrigger Spread Working	2,8 x 3,00 m	3,0 x 3,2 m
Maximum Slope for Outriggers	25 %	25 %
Weight	~1100 kg	~1300 kg
Hydraulic Outriggers	standard	standard
Drive	4WD	4WD
Powered by	HONDA 13 Hp petrol	
Battery Type	1 x 43 Ah Starting	
Battery Charger	Automatic	

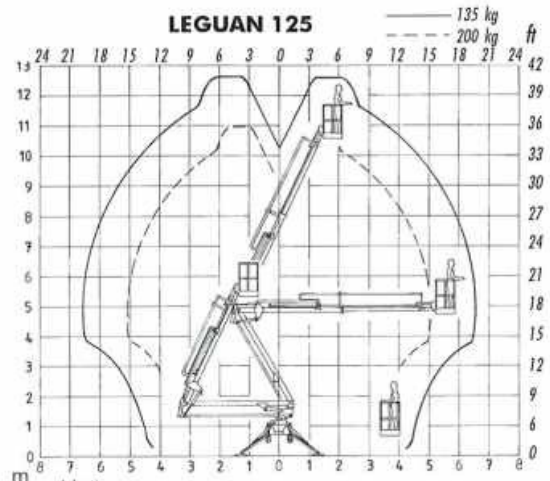
*With load control

STANDARD FEATURES INCLUDE:

- 4WD
- Hydraulic telescope
- Honda 13 Hp petrol engine, electric start
- Hydraulic outriggers
- Hour meter
- SetUp outrigger control
- CE-certification

AVAILABLE OPTIONS

- 230 V (110 V) at platform
- Dual Power petrol or diesel/ 230 V (110 V)
- Kubota 9,5 Hp diesel engine
- Water hose to platform
- High pressure hose to platform
- Larger platform
- Special painting
- Green plastic pads
- Hydraulic high pressure washer
- Jockey wheel
- Load control



Manufacturer:

LEGUAN LIFTS

Ylötie 1, FIN-33470 YLÖJÄRVI
FINLAND

Tel.: +358 3 347 6400

Fax: +358 3 347 6446

www.leguanlifts.com

Distributed by:

We reserve the right to alter specifications without notice.